

↔ DOMETIC

PORTABLE REFRIGERATION CFX SERIES



CFX28, CFX35W, CFX40W, CFX50W, CFX65W, CFX65DZ

EN

Compressor Fridge/Freezer

Operating manual

Please read this operating manual carefully before starting the device. Keep it in a safe place for future reference. If the device is passed on to another person, this operating manual must be handed over to the user along with it.

The manufacturer cannot be held liable for damage resulting from **improper usage** or **incorrect operation**.

Contents

1	Explanation of symbols	4
2	Safety instructions	5
2.1	General safety	5
2.2	Operating the cooling device safely	6
3	Scope of delivery	7
4	Accessories	8
5	Intended use	9
6	Function description	9
6.1	Scope of functions	10
6.2	Operating and display elements	10
7	Operation	13
7.1	Before initial use	13
7.2	Energy saving tips	14
7.3	Connecting the cooler	14
7.4	Using the battery monitor	16
7.5	Using the cooler	17
7.6	Setting the temperature	19
7.7	Enabling WiFi signal for optional app (all except CFX28 and CFX65DZ)	20
7.8	Set brightness of display	21
7.9	Using the emergency switch (where fitted)	22
7.10	USB port for power supply	22
7.11	Switching off the cooler	23
7.12	Defrosting the cooler	23
7.13	Replacing the AC fuse	24
7.14	Replacing the DC plug fuse	24
7.15	Replacing the light PCB	25

8	Cleaning and maintenance	26
9	Troubleshooting	27
10	Guarantee	28
11	Disposal	28
12	Technical data	29

1 Explanation of symbols



WARNING!

Safety instruction: Failure to observe this instruction can cause fatal or serious injury.



CAUTION!

Safety instruction: Failure to observe this instruction can lead to injury.



NOTICE!

Failure to observe this instruction can cause material damage and impair the function of the product.



NOTE

Supplementary information for operating the product.

2 Safety instructions

2.1 General safety



WARNING!

- Do not operate the cooling device if it is visibly damaged.
- If this cooling device's power cable is damaged, it must be replaced by the manufacturer, customer service or a similarly qualified person in order to prevent safety hazards.
- This cooling device may only be repaired by qualified personnel. Improper repairs can lead to considerable hazards.
- This cooling device can be used by children aged 8 years or over, as well as by persons with diminished physical, sensory or mental capacities or a lack of experience and/or knowledge, providing they are supervised or have been taught how to use the cooling device safely and are aware of the resulting risks.
- Cleaning and user maintenance must not be carried out by children without supervision.
- Children must not play with the cooling device.
- Children must be supervised to ensure that they do not play with the cooling device.
- Always keep and use the cooling device out of the reach of children under the age of 8 years.
- Do not store any explosive substances such as spray cans with a flammable propellant in the cooling device.



CAUTION!

- Disconnect the cooling device from the power supply
 - before each cleaning and maintenance
 - after every use
- Food may only be stored in its original packaging or in suitable containers.



NOTICE!

- Check that the voltage specification on the type plate corresponds to that of the energy supply.
- Only connect the cooling device as follows:
 - With the DC connection cable to a DC power supply in the vehicle
 - Or with the AC connection cable to the AC power supply

- Never pull the plug out of the socket by the cable.
- If the cooling device is connected to the DC outlet: Disconnect the cooling device and other power consuming devices from the battery before connecting a quick charging device.
- If the cooling device is connected to the DC outlet: Disconnect the cooling device or switch it off when you turn off the engine. Otherwise you may discharge the battery.
- The cooling device is not suitable for transporting caustic materials or materials containing solvents.
- The insulation of the cooling device contains flammable cyclopentane and requires special disposal procedures. Deliver the cooling device at the end of its life-cycle to an appropriate recycling.

2.2 Operating the cooling device safely



CAUTION!

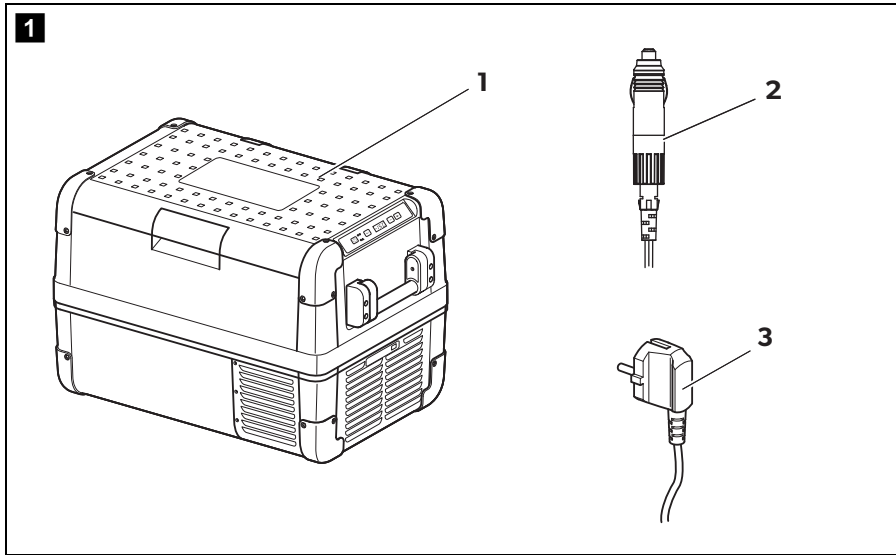
- Before starting the cooling device, ensure that the power supply line and the plug are dry.



NOTICE!

- Do not use electrical devices inside the cooling device unless they are recommended by the manufacturer for the purpose.
- Do not place the cooling device near naked flames or other heat sources (heaters, direct sunlight, gas ovens etc.).
- **Danger of overheating!**
Ensure at all times that there is sufficient ventilation so that the heat that arises during operation does not build up. Make sure that the cooling device is sufficiently far away from walls and other objects so that the air can circulate.
- Ensure that the ventilation openings are not covered.
- Do not fill the inner container with ice or fluid.
- Never immerse the cooling device in water.
- Protect the cooling device and the cable against heat and moisture.

3 Scope of delivery



Item	Quantity	Description
1	1	Cooler
2	1	Connection cable for DC connection
3	1	Connection cable for AC connection
-	1	Operating manual

4 Accessories

Available as accessory (not included in scope of delivery):

Designation	Ref. no.	Model
Universal fixing kit (belt system) CFX-UFK	9108300002	suits all models
Quick release fixing kit CFX-QFK	9105306218	CFX28 only
Wireless display CFX-WD	9105306632	suits CFX28, CFX65DZ and older models without WiFi app function
Insulated protective cover CFX-IC	9108300203	CFX 28
	9108300003	CFX 35W
	9108300004	CFX 40W
	9108300005	CFX 50W
	9108300006	CFX 65W/CFX 65DZ

Visit the Dometic website (see back page) for information about a WiFi app with control-, display- and alarm functions (**all except** CFX28 and CFX65DZ). Note that the app may not be available in your country.

5 Intended use

The cooler is suitable for cooling and freezing foods.

The cooler is designed to be operated from:

- a DC on-board power supply of a vehicle, boat or caravan
- a DC auxiliary battery
- an AC power supply

The cooling device is intended to be used in household and similar applications such as

- staff kitchen areas in shops, offices and other working environments
- farm houses
- clients in hotels, motels and other residential type environments
- bed and breakfast type environments
- catering and similar non-retail applications



CAUTION! Health hazard!

Please check if the cooling capacity of the device is suitable for storing the food or medicine you wish to cool.

6 Function description

The cooler can chill products, keep them cool as well as freeze them. A low maintenance refrigerant circuit with compressor provides the cooling. The generous insulation and powerful compressor ensure efficient and fast cooling.

The cooler is portable.

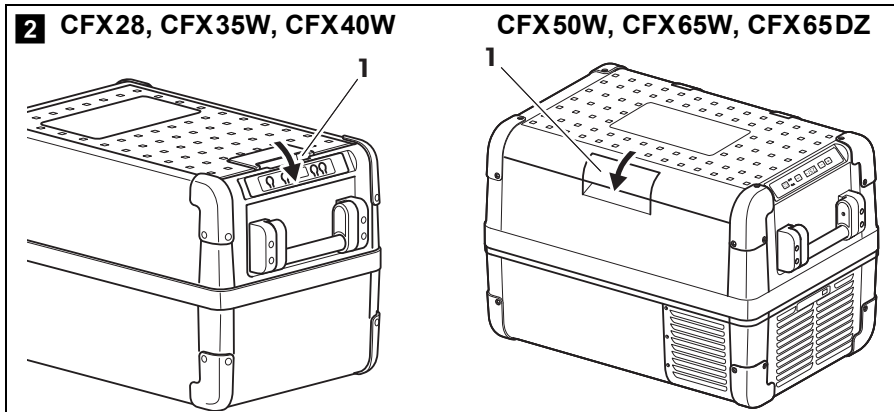
The cooler can withstand a short-term inclination of 30°, for example on boats.

6.1 Scope of functions

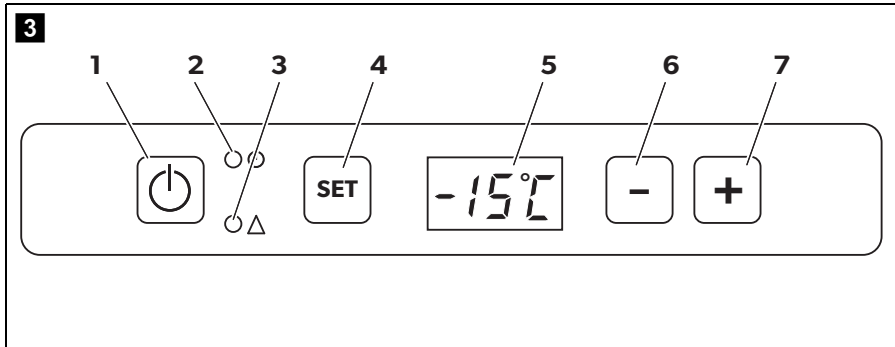
- Power supply with priority circuit for connecting to the AC mains
- Three-level battery monitor to protect the vehicle battery
- Display with temperature gauge in °C and °F switches off automatically at low battery voltage
- Temperature setting: With two buttons in steps of 1 °C (2 °F)
- Integrated WiFi transmitter hence controllable using an app (**all except** CFX28 and CFX65DZ)
- Foldable carrying handles
- USB port for power supply
- Emergency switch (where fitted)
- Removable wire basket

6.2 Operating and display elements

Latch for lid

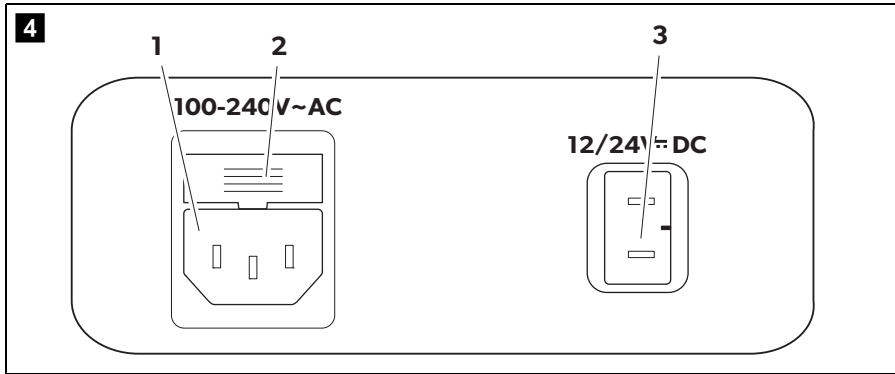


Operating panel



Item	Description	Explanation
1	ON OFF	Switches the cooler on or off when the button is pressed for between one and two seconds
2	POWER "⏻"	Status indication LED lights up green: Compressor is on LED lights up orange: Compressor is off LED flashes orange: display switched off automatically due to low battery voltage
3	ERROR	LED flashes red: Device is switched on but not ready for operation
4	SET	Selects the input mode – Temperature setting – Celsius or Fahrenheit display – Set battery monitor – Set brightness of display – Switch WiFi on or off (all except CFX28 and CFX65DZ)
5	–	Display, shows the information
6	DOWN –	Press once to decrease the value
7	UP +	Press once to increase the value

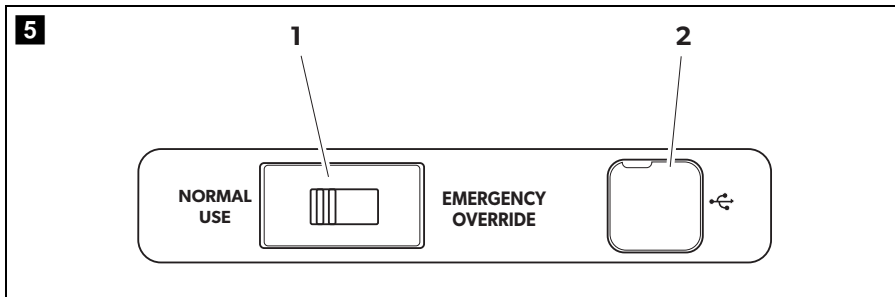
Connection sockets



Item Description

- 1 Connection socket AC voltage supply
- 2 Fuse holder
- 3 Connection socket DC voltage supply

Emergency switch (when fitted) and USB port



Item Description

- 1 Emergency switch (when fitted)
- 2 USB port for power supply

7 Operation

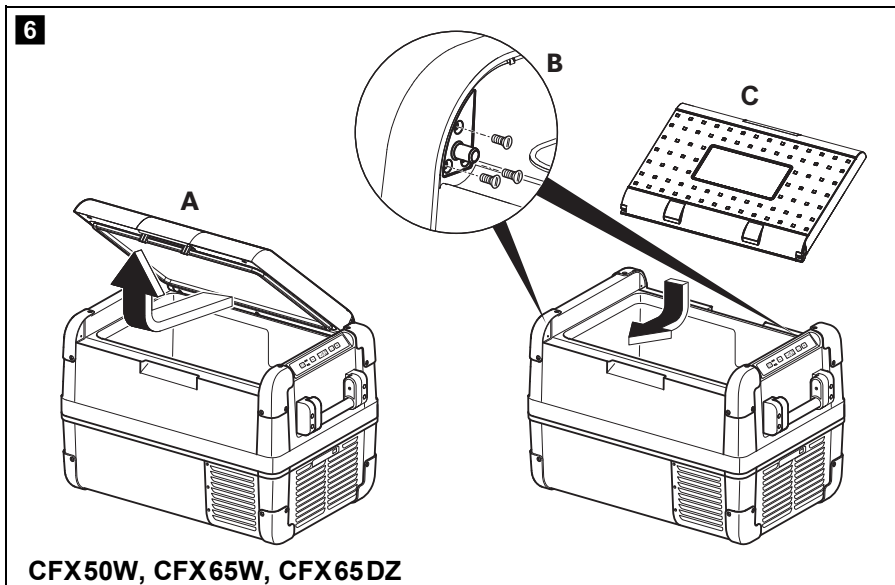
7.1 Before initial use



NOTE

Before starting your new cooler for the first time, you should clean it inside and outside with a damp cloth for hygienic reasons (please also refer to the chapter “Cleaning and maintenance” on page 26).

Reversing the lid opening direction (CFX50W, CFX65W, CFX65DZ)



The lid hinges can be moved to the opposite side if you want to open the lid from the opposite direction. To do this, proceed as follows:

- Open the lid and remove it **(A)**.
- Remove the 3 screws per hinge **(B)** and take off hinges.
- Remove the plastic covers from the new hinge positions with a small screwdriver and re-fit to the old hinge positions.
- Re-fit the hinges in new positions.
- Insert the lid in the hinges on the opposite side **(C)** (CFX50W, CFX65W, CFX65DZ only).

Selecting the temperature units

Temperature display units can be switched between Celsius and Fahrenheit as follows:

- Switch on the cooler.
 - Press the “SET” button (fig. **3** 4, page 11) twice.
 - Use the “UP +” (fig. **3** 7, page 11) or “DOWN –” (fig. **3** 6, page 11) buttons to select Celsius or Fahrenheit.
- ✓ The selected temperature units then appear in the display for a few seconds. The display flashes several times before it returns to the current temperature.

7.2 Energy saving tips

- Choose a well ventilated installation location which is protected against direct sunlight.
- Allow warm food to cool down first before placing it in the cooling device to keep cool.
- Do not open the cooling device more often than necessary.
- Do not leave the cooling device open for longer than necessary.
- Defrost the cooler once a layer of ice forms.
- Avoid unnecessarily low temperatures.

7.3 Connecting the cooler

Connecting to a battery (Vehicle or boat)

The cooler can be operated with 12 V or 24 V $\overline{=}$.



NOTICE! Danger of damage!

Disconnect the cooler and other consumer units from the battery before you connect the battery to a quick charging device. Overvoltage can damage the electronics of the device.

For safety reasons the cooler is equipped with an electronic system to prevent polarity reversal. This protects the cooler against short-circuiting when connecting to a battery.

Using the fused DC plug



NOTICE! Danger of damage!

For protection of the device the DC cable supplied includes a fuse inside the plug. Do **not** remove the fused DC plug.
Only use the DC cable supplied.

- Plug the DC connection cable (fig. **1** 2, page 7) into the DC voltage socket of the cooler (fig. **4** 3, page 12).
- Connect the connection cable to the DC power outlet.

Connecting to an AC power supply (e.g. in the home or office)



DANGER! Danger of electrocution!

- Never handle plugs and switches with wet hands or if you are standing on a wet surface.
- If you are operating your cooler on board a boat from a AC power supply, you must install a residual current circuit breaker between the AC power supply and the cooler.
Seek advice from a trained technician.

The coolers have an integrated multi-voltage power supply with priority circuit for connecting to an AC voltage source. The priority circuit automatically switches the cooler to AC operation if the device is connected to an AC power supply, even if the DC connection cable is still attached.

When switching between the AC power supply and the battery supply, the red LED may light up briefly.

- Plug the AC connection cable (fig. **1** 3, page 7) into the AC voltage socket of the cooler (fig. **4** 1, page 12).
- Connect the connection cable to the AC power outlet.

7.4 Using the battery monitor

The device is equipped with a multi-level battery monitor that protects your vehicle battery against excessive discharging when the device is connected to the on-board DC supply.

If the cooler is operated when the vehicle ignition is switched off, the cooler switches off automatically as soon as the supply voltage falls below a set level. The cooler will switch back on once the battery has been recharged to the restart voltage level.



NOTICE! Danger of damage!

When switched off by the battery monitor, the battery will no longer be fully charged. Avoid starting repeatedly or operating current consumers without longer charging phases. Ensure that the battery is recharged.

In "HIGH" mode, the battery monitor responds faster than at the levels "LOW" and "MED" (see the following table).

Battery monitor mode	LOW	MED	HIGH
Switch-off voltage at 12 V	10.1 V	11.4 V	11.8 V
Restart-voltage at 12 V	11.1 V	12.2 V	12.6 V
Switch-off voltage at 24 V	21.5 V	24.1 V	24.6 V
Restart voltage at 24 V	23.0 V	25.3 V	26.2 V

The battery monitor mode can be selected as follows:

- Switch on the cooler.
- Press the "SET" button (fig. **3** 4, page 11) three times.
- Use the "UP +" (fig. **3** 7, page 11) or "DOWN –" (fig. **3** 6, page 11) buttons to select the battery monitor mode.
- ✓ Display will be as follows:
Lo (LOW), Πd (MED), Hi (HIGH)
- ✓ The selected mode then appears in the display for a few seconds. The display flashes several times before it returns to the current temperature.



NOTE

When the cooler is supplied by the starter battery, select the battery monitor mode "HIGH". If the cooler is connected to a supply battery, the battery monitor mode "LOW" will suffice.

7.5 Using the cooler



NOTICE! Danger of overheating!

Ensure at all times that there is sufficient ventilation so that the heat that generated during operation can dissipate. Ensure that the ventilation slots are not covered. Make sure that the device is sufficiently far away from walls and other objects so that the air can circulate.

- Place the cooler on a firm foundation.
Make sure that the ventilation slots are not covered and that the heated air can dissipate.



NOTE

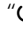
Place the cooler as shown (fig. **1**, page 7). If you operate the box in a different orientation it can be damaged.

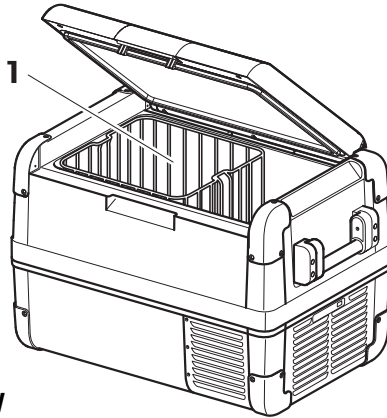
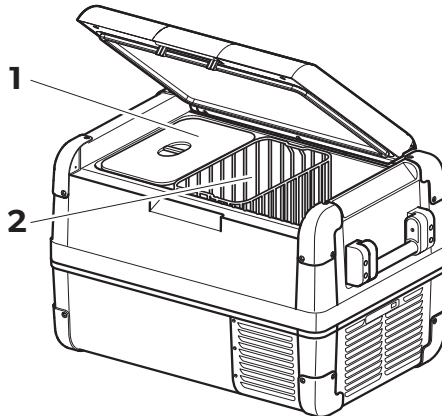
- Connect the cooler, see chapter “Connecting the cooler” on page 14.



NOTICE! Danger from excessively low temperature!

Ensure that the only those objects are placed in the cooler that are intended to be cooled at the selected temperature.

- Press the “ON/OFF” button (fig. **3** 1, page 11) for between one and two seconds.
- ✓ The LED “” lights up (fig. **3** 2, page 11).
- ✓ The display (fig. **3** 5, page 11) switches on and shows the current cooling temperature.

7**CFX50W, CFX65W****8****CFX65DZ****CAUTION! Health hazard!****CFX65DZ:**

If the temperature in the freezer compartment (fig. **8** 1, page 18) is very low ($-22\text{ }^{\circ}\text{C}$), the temperature range in the cooling department (fig. **8** 2, page 18) can be below freezing as well.

**NOTE****Displayed temperature**

- **CFX28, CFX35W, CFX40W, CFX50W, CFX65W:**

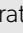
The temperature displayed is that of the large interior compartment (e.g. CFX50W, CFX65W: fig. **7** 1, page 18).

- **CFX65DZ:**

- With fridge/freezer divider in: The temperature displayed is that of the freezer compartment (fig. **8** 1, page 18).
- With fridge/freezer divider out: The actual compartment temperature will be considerably warmer than the displayed temperature

- ✓ The cooler starts cooling the interior.

**NOTE**

When operating with the battery, the display switches off automatically if the battery voltage is low. The LED “” flashes orange.

Latching the cooler lid

- Close the lid.
- Press the latch (fig. **2** 1, page 10) down, until it latches in place audibly.

**NOTE – Lid Open Alarm**

If the lid is left open for three minutes or more and the device is switched on, the interior light will flash until the lid is closed.

7.6 Setting the temperature

- Press the “SET” button (fig. **3** 4, page 11) once.
- Use the “UP +” (fig. **3** 7, page 11) and “DOWN –” (fig. **3** 6, page 11) buttons to select the cooling temperature.
- ✓ The cooling temperature appears in the display for a few seconds. The display flashes several times and then the current temperature is displayed again.

**NOTE**

The temperature can be set to $-22\text{ }^{\circ}\text{C}$. The manufacturer however recommends a cooling temperature of $-15\text{ }^{\circ}\text{C}$ to $-18\text{ }^{\circ}\text{C}$ for normal usage and optimum energy consumption.

7.7 Enabling WiFi signal for optional app (all except CFX28 and CFX65DZ)

The cooler can be controlled via WiFi using an app that you can install on a compatible device. The app has control, display and alarm functions.

For further information go to the Dometic website for your country (see back page). Note that the app may not be available in your country.

The WiFi name of the compressor cooler begins with “CFX”. The preset password is “00000000”. You can change the WiFi name and password individually.

Switching the WiFi signal on or off

- ▶ Press the “SET” button (fig. **3** 4, page 11) five times.
- ▶ Use the “UP+” (fig. **3** 7, page 11) and “DOWN-” (fig. **3** 6, page 11) buttons to switch the WiFi signal on or off.
- ✓ The desired setting appears in the display for a few seconds. The display flashes several times and then the current temperature is displayed again.



NOTE

- The default setting for the WiFi transmitter is off. For first time use and whenever power to the device is interrupted, switch on the WiFi transmitter to use the app.
- The WiFi transmitter uses a small amount of power. For optimal energy performance switch the WiFi transmitter off if it is not being used.

Resetting the WiFi to factory settings

In case you have personalized the WiFi settings of your cooling device using the WiFi app and forgotten your password, you can reset to the factory settings as follows:

- ▶ Press the “SET” button (fig. **3** 4, page 11) five times.
- ▶ Hold the “UP +” (fig. **3** 7, page 11) button for at least five seconds.
- ✓ In both displays “rES” will blink several times before returning to the previous display.
- ✓ The WiFi settings have been reset to factory settings.

For additional information visit the Dometic website from which you downloaded the app.

7.8 Set brightness of display

The display brightness can be dimmed for low ambient light conditions. To set the dimming level of the display proceed as follows:

- ▶ Switch on the cooler.
- ▶ Press the “SET” button (fig. **3** 4, page 11) four times.
- ▶ Use the “UP +” (fig. **3** 7, page 11) or “DOWN –” (fig. **3** 6, page 11) buttons to set the brightness of the display.
- ✓ Display will be as follows:
d0 (default), d1 (medium), d2 (dark)
- ✓ The display shows the set mode for some seconds. The display flashes several times before it returns to the current brightness.



NOTE

- The factory setting of brightness of the display is d0 (default).
- If a fault occurs, the brightness automatically is d0 (default). After troubleshooting the set brightness is reactivated.

7.9 Using the emergency switch (where fitted)

The emergency switch (fig. **5** 1, page 12) is located below the control panel on all models except CFX28 where it is located above the power inlet sockets. For normal operation the switch is in the “NORMAL USE” position.

- ▶ If an electronic control failure occurs, slide the switch to “EMERGENCY OVERRIDE” position

**NOTE**

If the switch is in the “EMERGENCY OVERRIDE” position, the cooler runs with full cooling capacity and may freeze.

7.10 USB port for power supply

USB port allows you to charge small devices like mobile phones and mp3-players.

To use your cooling box with any USB devices, simply connect a USB cable (not included) to your device (fig. **5** 2, page 12).

**NOTE**

Ensure that any small device connected to the USB port is compatible with 5 V/500 mA operation.

7.11 Switching off the cooler

- Empty the cooler.
- Switch the cooler off.
- Pull out the connection cable.

If you do not want to use the cooler for a longer period of time:

- Leave the cover slightly open. This prevents odour build-up.

7.12 Defrosting the cooler

Humidity can form frost in the interior of the cooling device or on the evaporator. This reduces the cooling capacity. Defrost the device in good time to avoid this.



NOTICE! Danger of damage!

Never use hard or pointed tools to remove ice or to loosen objects which have frozen in place.

To defrost the cooler, proceed as follows:

- Take out the contents of the cooler
- If necessary, place them in another cooling device to keep them cool.
- Switch off the device.
- Leave the lid open.
- Wipe off the defrosted water.

7.13 Replacing the AC fuse

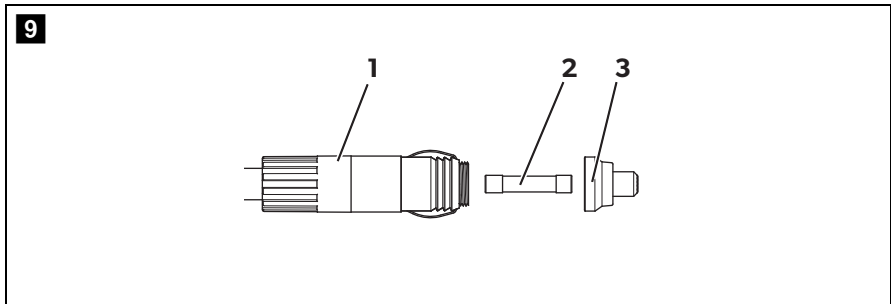


DANGER! Danger of electrocution!

Disconnect the power supply and the connection cable before you replace the device fuse.

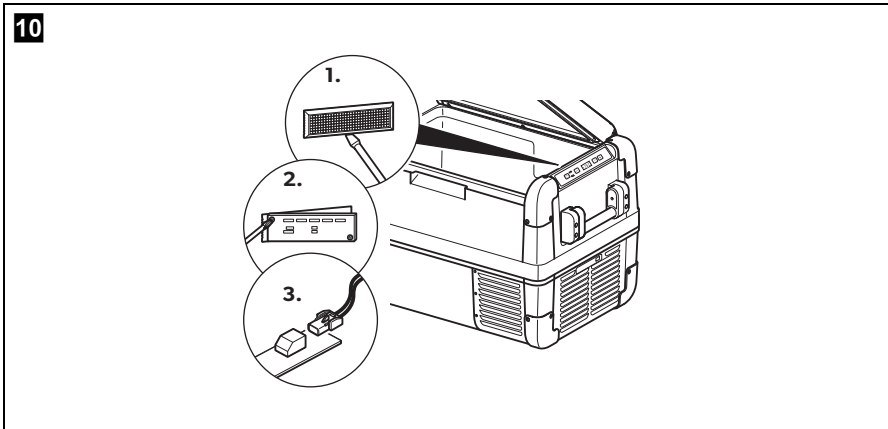
- Disconnect the power supply to the device.
- Pull off the connection cable.
- Pry out the fuse insert (fig. **4** 2, page 12) with a screwdriver.
- Replace the defective glass fuse with a new one that has the same type and rating (4 A, 250 V).
- Press the fuse insert back into the housing.
- Reconnect the power supply to the device.

7.14 Replacing the DC plug fuse



- Unscrew the contact pin housing (**3**) from the plug (**1**).
- Replace the defective fuse (**2**) with a new fuse of the same type and rating (3AG, Fast Acting, 10 A).
- Re-assemble the plug in reverse order.

7.15 Replacing the light PCB



- Disconnect the power supply to the device.
- Pry out the transparent cover with a screwdriver **(1)**.
- Unscrew the PCB mounting screws **(2)**.
- Pull out the plug from the PCB **(3)**.
- Replace the defective light PCB with a new one.
- Fit new PCB using reverse of removal instructions.
- Press the transparent cover back into the housing.
- Reconnect the power supply to the device.

8 Cleaning and maintenance

**WARNING!**

Always disconnect the device from the power supply before you clean and service it.

**NOTICE! Risk of damage**

- Never clean the cooler under running water or in dish water.
- Do not use abrasive cleaning agents or hard objects during cleaning as these can damage the cooler.

- Occasionally clean the device interior and exterior with a damp cloth.
- Make sure that the air inlet and outlet vents on the device are free of any dust and dirt, so that heat can be released and the device is not damaged.

9 Troubleshooting

Fault	Possible cause	Suggested remedy
Device does not function, LED does not glow.	No voltage was detected in the DC power outlet.	In most vehicles the ignition must be turned on before power will be supplied to the DC power outlet.
	No voltage present in the AC voltage outlet.	Try using another plug outlet.
	The device fuse is defective.	Replace the device fuse, see chapter "Replacing the AC fuse" on page 24.
The device does not cool (plug is inserted, "POWER" LED is lit).	The integrated mains adapter is defective.	This can only be repaired by an authorised repair centre.
	Defective compressor.	This can only be repaired by an authorised repair centre.
	The device does not cool (plug is inserted, "POWER" LED flashes orange, display is switched off).	Select a lower battery monitor setting.
The device does not cool (plug is inserted, "POWER" LED flashes orange, display is switched off).	Battery monitor is set too high.	Select a lower battery monitor setting.
	Battery voltage is too low.	Test the battery and charge it as needed.
When operating from the DC outlet: The ignition is on and the device is not working and the LED is not lit.	The DC outlet is dirty. This results in a poor electrical contact.	If the plug of your cooler becomes very warm in the DC outlet, either the DC outlet must be cleaned or the plug has not been assembled correctly.
	The fuse of the DC plug has blown.	Replace the fuse in the DC plug, see chapter "Replacing the DC plug fuse" on page 24.
	The vehicle fuse has blown.	Replace the vehicle's DC outlet fuse. Please refer to your vehicle's operating manual.
The display shows an error message (e.g. "Err1") and the appliance does not cool.	The appliance has switched off due to an internal fault.	This can only be repaired by an authorised repair centre.
The interior light of a compartment flashes.	The lid of the compartment has been left open for more than three minutes.	Close the lid of the compartment.

10 Guarantee

The statutory warranty period applies. If the product is defective, please contact the manufacturer's branch in your country (see the back of the instruction manual for the addresses) or your retailer.

For repair and guarantee processing, please include the following documents when you send in the device:

- A copy of the receipt with purchasing date
- A reason for the claim or description of the fault

11 Disposal

- Place the packaging material in the appropriate recycling waste bins wherever possible.



If you wish to finally dispose of the product, ask your local recycling centre or specialist dealer for details about how to do this in accordance with the applicable disposal regulations.

12 Technical data

	CFX28	CFX35W	CFX40W
Ref. no.:	9105306503	9105306495	9105306496
Connection voltage:	12/24 V $\overline{=}$ and 100 – 240 V \sim		
Rated current:	12 V $\overline{=}$: 6.5 A 24 V $\overline{=}$: 3.2 A 100 V \sim : 0.75 A 240 V \sim : 0.32 A	12 V $\overline{=}$: 7.0 A 24 V $\overline{=}$: 3.2 A 100 V \sim : 0.86 A 240 V \sim : 0.42 A	
Cooling capacity:	+10 °C to –22 °C (+50 °F to –8 °F)		
Category:	1		
Energy efficiency class:	A++	A++	
Energy consumption:	61 kWh/annum	62 kWh/annum	64 kWh/annum
Gross volume:	28 l	34.5 l	41 l
Storage volume:	26 l	32 l	38 l
Climate class:	N, T		
Ambient temperature:	+16 °C to +43 °C		
Noise emission:	34 dB(A)	42 dB(A)	
USB:	5 V $\overline{=}$, 500 mA		
Frequency band (WiFi):	2.4 GHz (wireless module)	2.4 GHz	
RF power (WiFi):	11 – 0 dBm (wireless module)	16 ± 1.5 dBm (802.11 b CCK, 11 Mbps) 12 ± 1.5 dBm (802.11 g OFDM, 54 Mbps) 11 ± 1.5 dBm (802.11 n HT20, MCS7)	
Refrigerant quantity:	38 g	33 g	38 g
CO ₂ equivalent:	0.054 t	0.047 t	0.054 t
Global warming potential (GWP):	1430		
Dimensions (W x H x D) in mm (including handles):	426 x 425 x 320	398 x 411 x 692	398 x 461 x 692
Weight:	13 kg	17.5 kg	18.5 kg

	CFX50W	CFX65W	CFX65DZ
Ref. no.:	9105306497	9105306498	9105306499
Connection voltage:	12/24 V $\overline{=}$ and 100 – 240 V \sim		
Rated current:	12 V $\overline{=}$: 7.8 A 24 V $\overline{=}$: 3.6 A 100 V \sim : 0.95 A 240 V \sim : 0.46 A	12 V $\overline{=}$: 8.2 A 24 V $\overline{=}$: 3.8 A 100 V \sim : 1.0 A 240 V \sim : 0.48 A	12 V $\overline{=}$: 5.5 A 24 V $\overline{=}$: 2.6 A 100 V \sim : 0.75 A 240 V \sim : 0.37 A
Cooling capacity:	+10 °C to -22 °C (+50 °F to -8 °F)		
Category:	1		
Energy efficiency class:	A++		A+
Energy consumption:	66 kWh/annum	69 kWh/annum	115 kWh/annum
Gross volume:	50 l	65 l	with divider: 61 l without divider: 65 l
Storage volume:	46 l	60 l	53 l
Climate class:	N, T		
Ambient temperature:	+16 °C to +43 °C		
Noise emission:	42 dB(A)		
USB:	5 V $\overline{=}$, 500 mA		
Frequency band (WiFi):	2.4 GHz		-
RF power (WiFi):	16 \pm 1.5 dBm (802.11 b CCK, 11 Mbps) 12 \pm 1.5 dBm (802.11 g OFDM, 54 Mbps) 11 \pm 1.5 dBm (802.11 n HT20, MCS7)		-
Refrigerant quantity:	43 g	57 g	31 g
CO ₂ equivalent:	0.062 t	0.082 t	0.044 t
Global warming potential (GWP):	1430		
Dimensions (W x H x D) in mm (including handles):	725 x 471 x 455	725 x 561 x 455	725 x 561 x 455
Weight:	20.4 kg	22.3 kg	23.2 kg

**NOTE**

If the ambient temperature is above +32 °C (+90 °F), the minimum temperature cannot be attained.

Test/certificates:



The coolant circuit contains R134a.

Contains fluorinated greenhouse gases

Hermetically sealed equipment

AUSTRALIA**Dometic Australia Pty. Ltd.**

1 John Duncan Court - Varsity Lakes QLD 4227

☎ 1800 212121 - 📠 +61 7 55076001

Mail: sales@dometic.com.au

dometic.com**AUSTRIA****Dometic Austria GmbH**

Neudorferstraße 108

A-2353 Guntramdsdorf

☎ +43 2236 908070

☎ +43 2236 90807060

Mail: info@dometic.at

BENELUX**Dometic Branch Office Belgium**

Zincstraat 3

B-1500 Halle

☎ +32 2 3598040

☎ +32 2 3598050

Mail: info@dometic.be

BRAZIL**Dometic DO Brasil LTDA**

Avenida Paulista 1754, conj. 111

SP 01310-920 Sao Paulo

☎ +55 11 3251 3352

☎ +55 11 3251 3362

Mail: info@dometic.com.br

DENMARK**Dometic Denmark A/S**

Nordensvej 15, Taulov

DK-7000 Fredericia

☎ +45 75585966

☎ +45 75586307

Mail: info@dometic.dk

FINLAND**Dometic Finland OY**

Mestariintie 4

FIN-01730 Vantaa

☎ +358 20 7413220

☎ +358 9 7593700

Mail: info@dometic.fi

FRANCE**Dometic SAS**

ZA du Pré de la Dame Jeanne

B.P. 5

F-60128 Plailly

☎ +33 3 44633525

☎ +33 3 44633518

Mail : vehiculesdeloisirs@dometic.fr

GERMANY**Dometic WAECO International GmbH**

Hülfelefeldstraße 63

D-48282 Emsdetten

☎ +49 (0) 2572 879-195

☎ +49 (0) 2572 879-322

Mail: info@dometic-waeco.de

HONG KONG**Dometic Group Asia Pacific**

Suites 2207-11 - 22/F - Tower 1

The Gateway - 25 Canton Road,

Tsim Sha Tsui - Kowloon

☎ +852 2 4611386

☎ +852 2 4665553

Mail: info@waeco.com.hk

HUNGARY**Dometic Zrt. Sales Office**

Kerékgyártó u. 5.

H-1147 Budapest

☎ +36 1 468 4400

☎ +36 1 468 4401

Mail: budapest@dometic.hu

ITALY**Dometic Italy S.r.l.**

Via Virgilio, 3

I-47122 Forlì (FC)

☎ +39 0543 754901

☎ +39 0543 754983

Mail: vendite@dometic.it

JAPAN**Dometic KK**

Maekawa-Shibaura, Bldg. 2

2-13-9 Shibaura Minato-ku

Tokyo 108-0023

☎ +81 3 5445 3333

☎ +81 3 5445 3339

Mail: info@dometic.jp

MEXICO**Dometic Mx, S. de R. L. de C. V.**

Circuito Médicos No. 6 Local 1

Colonia Ciudad Satélite

CP 53100 Naucalpan de Juárez

Estado de México

☎ +52 55 5374 4108

☎ +52 55 5393 4683

Mail: info@dometic.com.mx

NETHERLANDS**Dometic Benelux B.V.**

Ecustraet 3

NL-4879 NP Etten-Leur

☎ +31 76 5029000

☎ +31 76 5029019

Mail: info@dometic.nl

NEW ZEALAND**Dometic New Zealand Ltd.**

PO Box 12011

Penrose

Auckland 1642

☎ +64 9 622 1490

☎ +64 9 622 1573

Mail: customerservices@dometic.co.nz

NORWAY**Dometic Norway AS**

Østerøyveien 46

N-3232 Sandefjord

☎ +47 33428450

☎ +47 33428459

Mail: firmapost@dometic.no

POLAND**Dometic Poland Sp. z o.o.**

Ul. Puławska 435A

PL-02-801 Warszawa

☎ +48 22 414 3200

☎ +48 22 414 3201

Mail: info@dometic.pl

PORTUGAL**Dometic Spain, S.L.**

Branch Office em Portugal

Rot. de São Gonçalo nº 1 – Esc. 12

2775-399 Carcavelos

☎ +351 219 244 173

☎ +351 219 243 206

Mail: info@dometic.pt

RUSSIA**Dometic RUS LLC**

Komsomolskaya square 6-1

RU-107140 Moscow

☎ +7 495 780 79 39

☎ +7 495 916 56 53

Mail: info@dometic.ru

SINGAPORE**Dometic Pte Ltd**

18 Boon Lay Way 06-140 Trade Hub 21

Singapore 609966

☎ +65 6795 3177

☎ +65 6862 6620

Mail: dometic@dometic.com.sg

SLOVAKIA**Dometic Slovakia s.r.o. Sales Office Bratislava**

Nádražná 34/A

900 28 Ivanka pri Dunaji

☎/☎ +421 2 45 529 680

Mail: bratislava@dometic.com

SOUTH AFRICA**Dometic (Pty) Ltd.****Regional Office****South Africa & Sub-Saharan Africa**

Unit 6-7 on Mastiff Linbro Park

2008 Johannesburg

☎ +27 11 4504978

☎ +27 11 4504976

Mail: info@dometic.co.za

SPAIN**Dometic Spain S.L.**

Avda. Sierra del Guadarrama, 16

E-28691 Villanueva de la Cañada

Madrid

☎ +34 902 111 042

☎ +34 900 100 245

Mail: info@dometic.es

SWEDEN**Dometic Scandinavia AB**

Gustaf Melins gata 7

S-42131 Västra Frölunda

☎ +46 31 7341100

☎ +46 31 7341101

Mail: info@dometicgroup.se

SWITZERLAND**Dometic Switzerland AG**

Riedackerstrasse 7a

CH-8153 Rümlang

☎ +41 44 8187171

☎ +41 44 8187191

Mail: info@dometic.ch

UNITED ARAB EMIRATES**Dometic Middle East FZCO**

P. O. Box 17860

S-D 6, Jebel Ali Freezone

Dubai

☎ +971 4 883 3858

☎ +971 4 883 3868

Mail: info@dometic.ae

UNITED KINGDOM**Dometic UK Ltd.**

Dometic House, The Brewery

Blandford St. Mary

Dorset DT11 9LS

☎ +44 344 626 0133

☎ +44 344 626 0143

Mail: customerservices@dometic.co.uk

USA**Dometic RV Division**

1120 North Main Street

Elkhart, IN 46515

☎ +1 574-264-2131